

IceBlast

KG50 Supreme 3/4"



ICE TECH

IceBlast KG50 Supreme 3/4"

IceBlast KG50 Supreme 3/4"

The IceBlast dry ice blasting machines and their accessories have been developed with the purpose of manufacturing cleaning equipment that meets or exceeds the needs of especially industrial companies to minimize consequential costs of industrial cleaning and maintenance.

When using IceTech Dry Ice Blasting it is often possible to clean a plant or a machine while it is online, without any disassembling and subsequent assembling. Since production downtimes can thus be avoided or reduced drastically, this is a significant economic factor.

Beyond the grease or other surface deposits removed, no cleaning agents or chemicals are left in chains, mechanical parts, etc. There are no incurred costs in connection with the disposal of blasting media and solvents; only the substance removed will need to be disposed of. Labor costs for cleaning and maintenance will often be reduced to a fraction of the present level if dry ice blasting is applied instead of traditional methods of industrial cleaning and surface treatment.

IceTech products are:

- High-quality
- Reliable
- Ergonomic
- Easy to operate
- Multifunctional
- Cost and time saving

Complete Item nos.

EU: Item no. KG50 SUP 3/4"	
90962S	230 V, 3/4", compl. EU
UK: Item no. KG50 SUP 3/4"	
90971S	110 V, 3/4", compl. UK
JP: Item no. KG50 SUP 3/4"	
90980S	100 V, 3/4", compl. JP



Contact IceTech to obtain expert advice on the right Dry Ice Blasting solution for you.

Head office Europe: +45 7656 1500 • Head office United States: +1 513-942-4144 • IceTech Germany: 08004 238 324

IceTech Asia: +65 9635 3527 • Or visit IceTech online at www.icetechworld.com to learn more.

IceBlast ● ●

KG50 Supreme 3/4"



ICE TECH

Technical data

Dimensions mm/inch: **Length:** 700 / 27.5 **Width:** 550 / 21.6 **Height incl. handle:** 1160 / 45.6

Weight: **kg:** 90 / **lbs:** 198

Dry Ice Capacity: **kg:** 50 / **lbs:** 110

Dry Ice Consumption: **kg/hr:** 0-100 **lbs/hr:** 0-220 *-infinitely adjustable*

Supply Pressure: **bar:** min. 5 - max. 16 **psi:** min. 72 - max. 232

Blasting Pressure: **bar:** min. 2 - max. 16 **psi:** min. 29 - max. 232

Air Consumption: **Nm³/min:** 0.7 - 11 **cfm:** 25 - 388 *-depending on nozzle combination*

Compressed Air Connection: 1" claw coupling
Air quality: According to ISO 8573-1 Class 3 for environment temperature below + 5°C.

Power Consumption: 230 V - 110 V - 100 V - AC 50-60 Hz - 800 W

Hose: Blasting Hose, 3/4" Single Hose System

Noise: Noise level 60-120 dB(A) depending on blasting pressure, nozzle combination and material surface

Contact IceTech to obtain expert advice on the right Dry Ice Blasting solution for you.

Head office Europe: +45 7656 1500 • Head office United States: +1 513-942-4144 • IceTech Germany: 08004 238 324

IceTech Asia: +65 9635 3527 • Or visit IceTech online at www.icetechworld.com to learn more.

IceBlast ● ●

KG50 Supreme 3/4"



ICE TECH

● Included

Blasting Hose

Length: 10 m / 32 ft

Item no: 502703

The blasting hose is made of a flexible fibre reinforced silicone tube with a protective sleeve. Safety couplings allow swift and safe connection to the machine and the blasting gun.



Air Supply Hose 1"

Length: 10 m / 32 ft

Item no: 90200

US Item no: 90193



Blasting Gun HD Supreme

Item no: 90490S

The blasting guns are modularly designed and can be combined with a broad range of nozzles and accessories. This makes them adaptable to suit each individual blasting application, thus it is always possible to obtain maximum cleaning efficiency.

- :: Safety switch
- :: Two-step trigger
- Blasting with dry ice AND air - Blasting with AIR ONLY



● IceBlast KG50 Supreme 3/4"

● Technical Data

● Included

● Appropriate Accessories

IceBlast ● ●

KG50 Supreme 3/4"


ICE TECH

● Appropriate Accessories

● IT3 Box of Nozzles

● Air Consumption Table/Splitter grid

Blasting Hose

max. length in one piece

Length: 1.5 m / 4.9 ft
Length: 5 m / 16 ft
Length: 7.5 m / 24 ft
Length: 10 m / 32 ft
Length: 15 m / 49 ft

Item no: 502700
Item no: 502701
Item no: 502702
Item no: 502703
Item no: 502704



Air Supply Hose 1"

Length: 10 m / 32 ft
Length: 10 m / 32 ft
Length: 20 m / 65 ft
Length: 20 m / 65 ft

Item no: 90200
US Item no: 90193
Item no: 90198
US Item no: 90228



IT3 Box of Nozzles

Item no: 90399

Includes the most commonly used types of nozzles, delivered in a flight case.

Length: 550 / 21.6

Width: 350 / 13.8

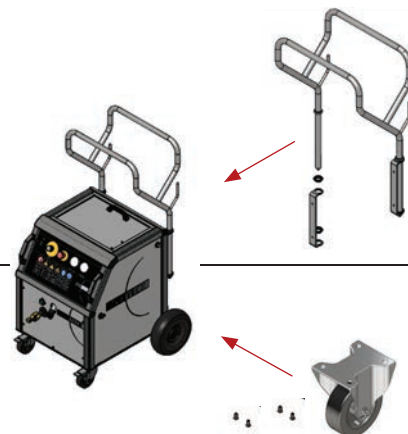
Weight: g:3500 / lbs: 7.7



Hose Retainer:

Item no: 500010

For storing of Blasting Gun and coiled Blasting hose after use. Capacity: Up to 30 m blasting hose. Supplied complete with fittings. Made from stainless steel.



Small wheel package. KG30/50:
 Hard wheels fixed -rear.

Item no: 502521

Contact IceTech to obtain expert advice on the right Dry Ice Blasting solution for you.

Head office Europe: +45 7656 1500 • Head office United States: +1 513-942-4144 • IceTech Germany: 08004 238 324

IceTech Asia: +65 9635 3527 • Or visit IceTech online at www.icetechworld.com to learn more.

IT-3 Box of Nozzles

KG50 Supreme 3/4"



ICE TECH

The IT-3 Box includes the most commonly used types of nozzles.



Appropriate Accessories



IT3 Box of Nozzles



Air Consumption Table/Splitter grid

Flat nozzle, 50 mm, complete
Item no: 502666



Nozzle insert, Ø 5-16
Item no: 91305



High-flow IceSplitter w/grid, 1.5 mm
Item no: 91402



Nozzle insert, Ø 6-16
Item no: 91306



long-life grid f/IceSplitter, 2 mm
Item no: 91444



Nozzle insert, Ø 7-16
Item no: 91307



long-life grid f/IceSplitter, 2,5 mm
Item no: 91447



Nozzle insert, Ø 9-16
Item no: 91309



Extension bend, 90° x 210 mm, complete
Item no: 91201S



Nozzle insert, Ø 10-16
Item no: 91310



Extension bend, 45° x 210 mm, complete
Item no: 91202S



Nozzle holder
(Not to be fitted directly on IceGun)
Item no: 91007



Combo nozzle, complete
Item no: 91319



Key for flat nozzle, 2.5 mm
Item no: 98008



Contact IceTech to obtain expert advice on the right Dry Ice Blasting solution for you.

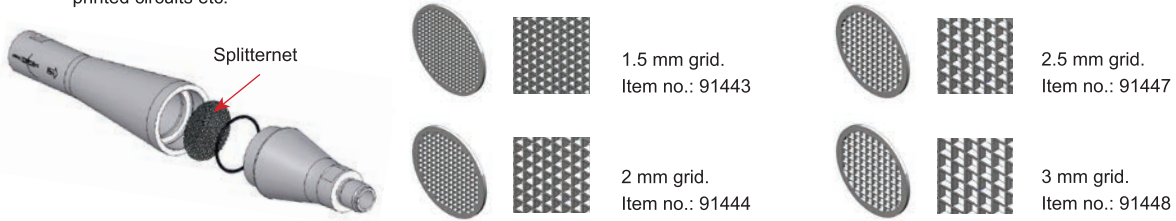
Head office Europe: +45 7656 1500 • Head office United States: +1 513-942-4144 • IceTech Germany: 08004 238 324

IceTech Asia: +65 9635 3527 • Or visit IceTech online at www.icetechworld.com to learn more.

Air Consumption Table

High and Low Flow IceSplitters

- Pulverises dry ice pellets
- To be used when very low abrasion is required, cleaning sensitive objects like electric switchboards, printed circuits etc.



IceSplitter can be adapted between blasting hoses

- 91410-V2 (KG12+KG30+KG50) 200202 (KG6+KG20) IceSplitter adapter
- 91411-V2 / 200203 (KG6+KG20) IceSplitter adapter

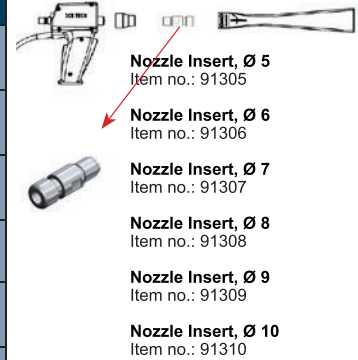
Appropriate Accessories

IT3 Box of Nozzles

Air Consumption Table/Splitter grid

Air Consumption Table - Bar

Bar >>	2	3	4	5	6	7	8	9	10	11	12	13	14	15	16
Ø5	0.7	0.9	1.2	1.4	1.6	1.9	2.1	2.3	2.6	2.8	3.0	3.3	3.5	3.7	4.0
Ø6	1.0	1.3	1.7	2.0	2.4	2.7	3.0	3.4	3.7	4.0	4.4	4.7	5.1	5.4	5.7
Ø7	1.4	1.8	2.3	2.7	3.2	3.7	4.1	4.7	5.1	5.7	6.2	6.6	7.1	7.4	7.7
Ø8	1.8	2.4	3.0	3.6	4.2	4.8	5.4	6.1	6.7	7.3	7.9	8.4	9.1	9.7	10
Ø9	2.3	3.0	3.8	4.6	5.3	6.1	6.9	7.7	8.4	9.4	10.1	10.8	11.7	12.1	13
Ø10	2.8	3.7	4.7	5.7	6.6	7.6	8.5	9.6	10.4	11.3	12.4	13.4	14.3	15.3	16



Air consumption in Nm³/min - ft³/min at the pressures indicated bar - Ø = nozzle diameter

Correct use of the 4 types of long-life splitternets

In the table, recommended settings of max. dry ice consumption and min. supply pressure are indicated.

Splitternet mm	1.5		2		2.5		3	
	Max Ice kg/h *	Min. Air ⤵	Max Ice kg/h *	Min. Air ⤵	Max Ice kg/h *	Min. Air ⤵	Max Ice kg/h *	Min. Air ⤵
Ø5	20	4	25	4	30	4	35	4
Ø6	25	4	30	4	35	3.5	40	3.5
Ø7	30	3	35	3	40	3	45	3
Ø8	35	3	40	3	45	3	50	3
Ø9	50	3	70	3	100	2	120	2
Ø10	60	2	80	2	120	2	150	2

Contact IceTech to obtain expert advice on the right Dry Ice Blasting solution for you.

Head office Europe: +45 7656 1500 • Head office United States: +1 513-942-4144 • IceTech Germany: 08004 238 324

IceTech Asia: +65 9635 3527 • Or visit IceTech online at www.icetechworld.com to learn more.